

CLBT 03

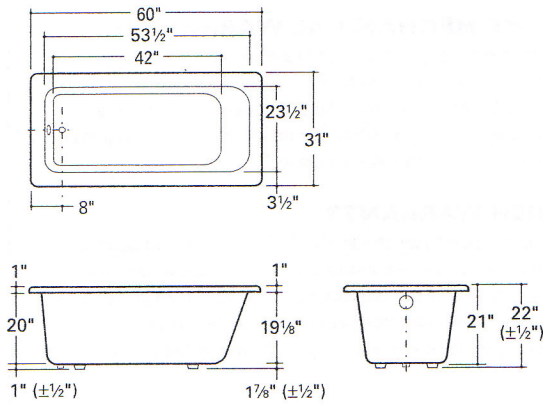


FIGURE 1

Apply construction adhesive to support feet

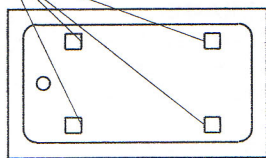


FIGURE 2

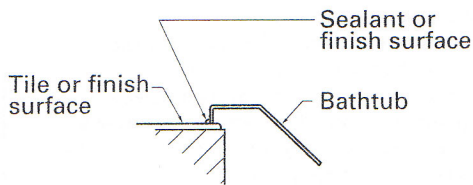
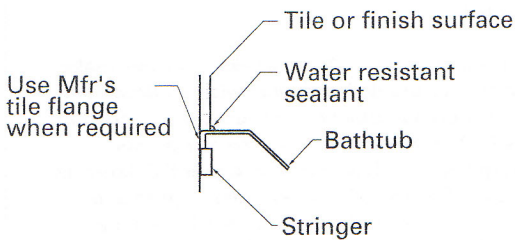


FIGURE 3



INSTALLATION GUIDELINES:

The bath is assembled complete and ready for installation. Immediately after receiving the bath and removal of packing, INSPECT the unit for freight damage. Any claims for damage, whether apparent or hidden, must be made to the carrier immediately in order for them to assume all associated costs. Should inspection reveal any defect in the finish, do not install the bath. Damage or defect to the finish claimed after the bath is installed is excluded from the warranty. The warranty DOES NOT cover labor or materials to remove or reinstall the bath.

PRIOR TO INSTALLATION, CHECK TO ENSURE THAT:

- The installation will be in compliance with all applicable federal, state, and local building codes and regulations.
- The unit is the correct model and there is no shipping damage.
- The installer has read and thoroughly understands "notice" or "warning" tags on the bathtub.
- The interior of the tub will be protected during installation.

BATHTUB INSTALLATION:

Be sure to take any necessary precautions to keep the tub protected during installation.

- If subfloor is not level, some shimming of the tub will be required.
- Apply a generous amount of construction adhesive to the bottom of the support feet. Set the bath in the desired location.
- If desired, a traditional mortar "wetbed" may be used to support the tub.
- Do not hang the bathtub by the rim. Bath must be supported from the floor (bottom of tub) and resting on all support feet (see Figure 1, left).
- Level the top of the bathtub in both directions using a 4-foot level to ensure proper drainage. Test for drainage.
- For drop-in applications: Bring the tile or finish surface to the inside edge of the tub rim and seal with silicone caulk (as shown in Figure 2, left).
- For tiled-in applications: Bring the tile or finish surface down over face of optional tile flange and seal with silicone caulk (as shown in Figure 3, left).
- Cover the bathtub surface with a bathtub liner or other form of protection.

These guidelines have been prepared for the professional contractor to aid in the installation of **CLASSIC III BATHTUB (CLBT 03)**

All dimensions are based on original specifications and are subject to change and variation. Please consult your Design Associate for current specifications.