

#### Features

- Low-threshold design for easy entry and exit.
- Single threshold for alcove installation with integral tile-in flange.
- Durable acrylic with resin concrete core construction.
- Center drain.
- Allows for quick and easy mortar-less installation.

#### Recommended Products/Accessories

K-9132 Shower Drain  
K-23726 Drain treatment  
K-23732 Tub & shower cleaner



#### Codes/Standards

CSA B45.5/IAPMO Z124  
ASTM E162  
ASTM E662


#### KOHLER® Plastic Baths and Receptors Lifetime Limited Warranty

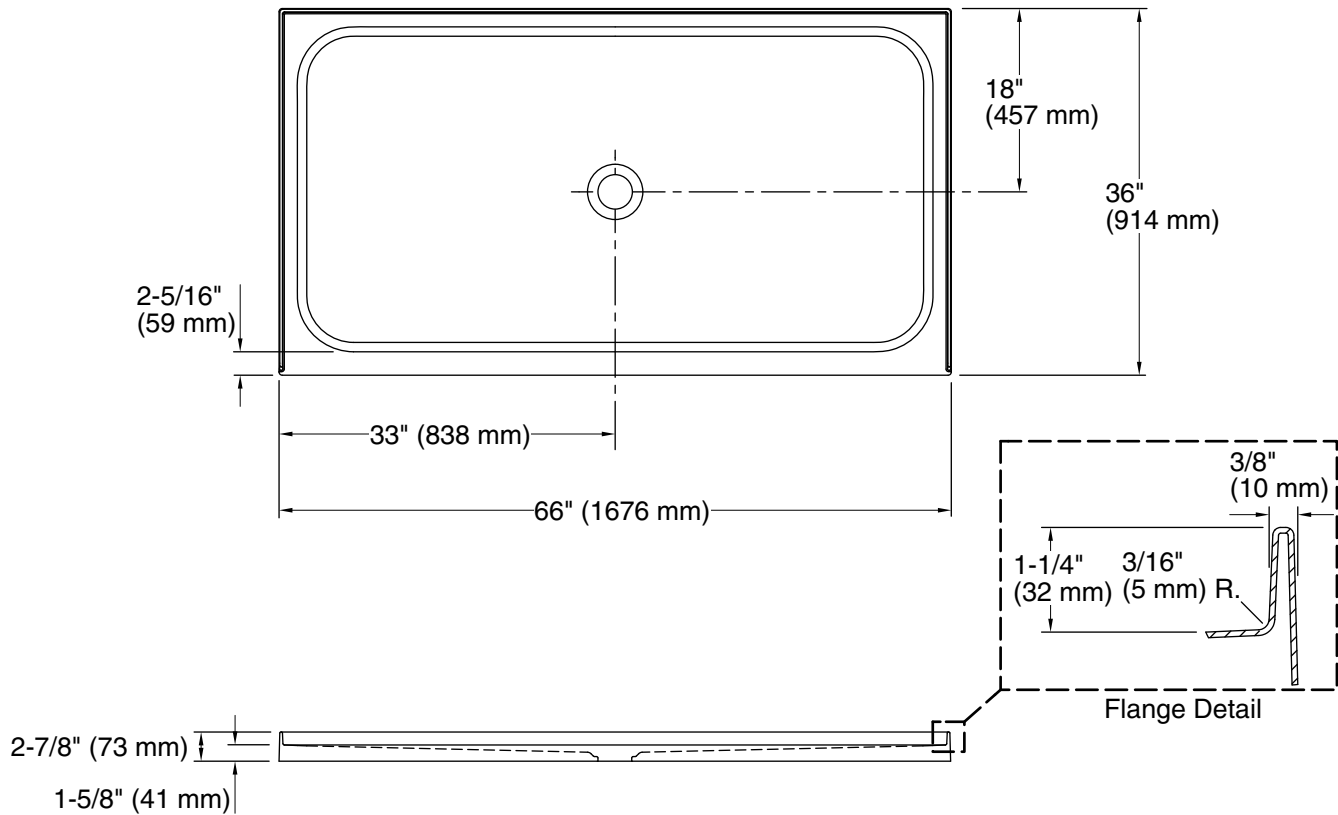
See website for detailed warranty information.

#### Available Colors/Finishes

*Color tiles intended for reference only.*

Color	Code	Description
-------	------	-------------

	0	White
--	---	-------



### Technical Information

All product dimensions are nominal.

Installation: Three-wall alcove

Drain location: Center

Weight: 131 lbs (59.4 kg)

### Notes

Measure your actual product for rough-in details.

Install this product according to the installation instructions.

**CAUTION:** Risk of property damage and personal injury. Using this product without a shower door may cause water damage and may create a wet and potentially dangerous environment. Install a shower door with this product.

A shower door with a bottom track is required for this receptor. Kohler Co. shall not be responsible for problems encountered due to the installation and use of other manufacturer's shower doors.